



## REVIT MEP 2009 RENDERING SERVICES

### WHAT IS REVIT MEP 2009?

**Autodesk Revit MEP** software is the building information modeling (BIM) solution for mechanical, electrical, and plumbing (MEP) engineers.

Revit MEP offers purpose-built tools for building systems design and analysis. With the parametric change management technology in Revit MEP, you can coordinate modifications more consistently across the model. Built-in analysis capabilities and interoperability with partner applications offer support for sustainable construction, enabling better decision making for cost-effective and environmentally conscious designs.

### WHAT REVIT SERVICES CAN DC OFFER YOU?

Direct Communications Ltd can offer a reliable and competitively priced design and rendering service, dedicated to giving you the family components that you need for your Revit schematics. We can also provide drawings in 2D format via Autocad 2011 for you as well should you require them.

Utilising Revit, we can provide for you:

- **3D renderings of your components**
- **Annotation symbols for your components**
- **Placement of components within drawings**
- **Conversion of Revit 3D renderings to 2D in JPEG and PDF format**
- **Walkthrough AVI files to demonstrate floor plan layouts or placing of your components**

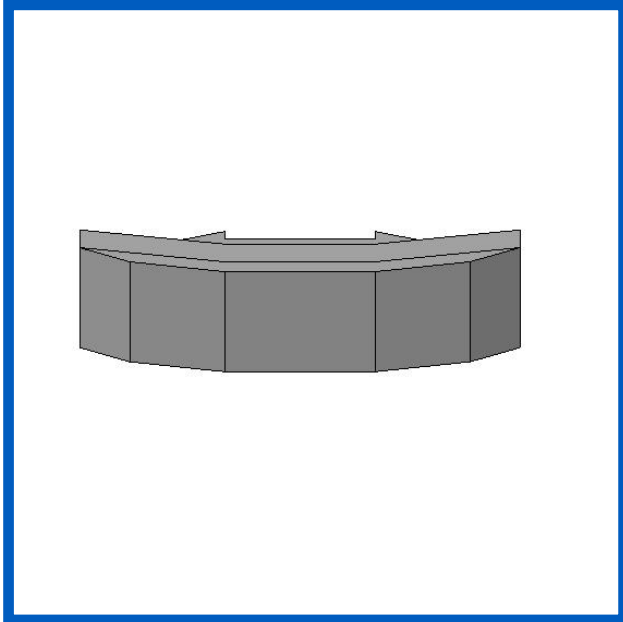
We are committed to designing and giving you the best finished product that we possibly can, created to your specifications and integrated into your schematics.

**For more information contact us at:**

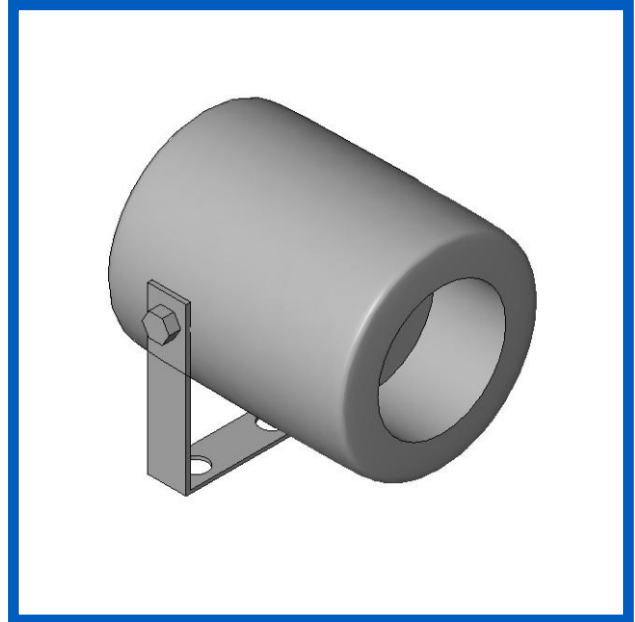
**DCDS - Tel: 01480 466300  
Email: [glen.stone@directcoms.co.uk](mailto:glen.stone@directcoms.co.uk)**



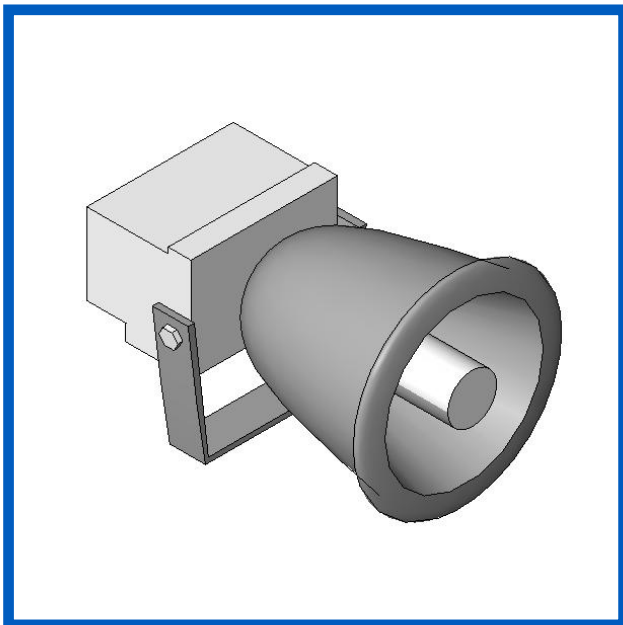
## EXAMPLES OF REVIT 3D RENDERED MODELS



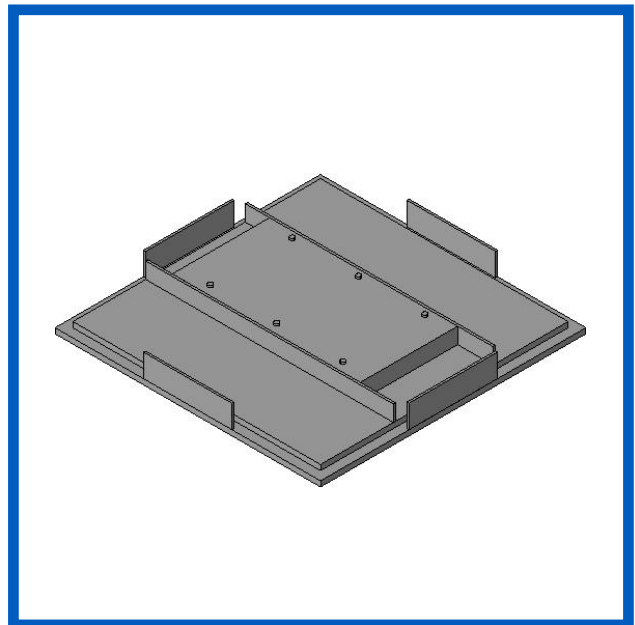
SDV1101 Wall Mounted Speaker



Generic Projection Speaker



Generic Paging Horn Speaker



Cs100 Ceiling Panel Speaker

Here are a few examples of components we have designed to be used with **REVIT** drawings and files.